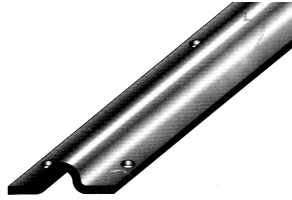
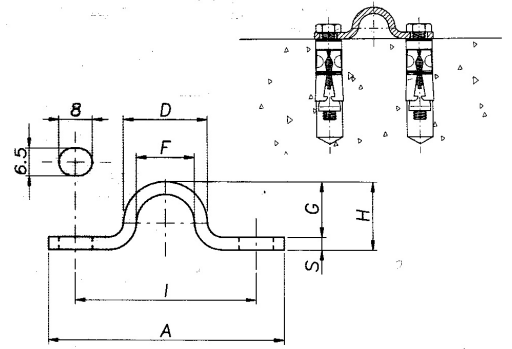


BOLTED TRACK

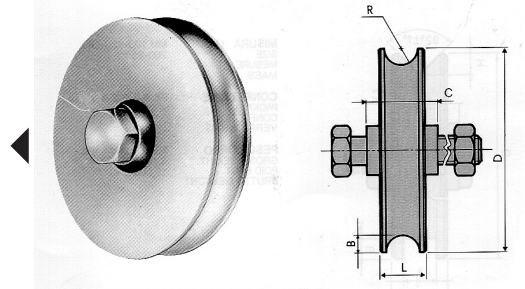


	L	A	D	F	G	H	I	S
289/16	3000	55	∅ 15	∅ 9.5	10	13	42	3
289/20	3000	55	∅ 19	∅ 12	13	16	42	4

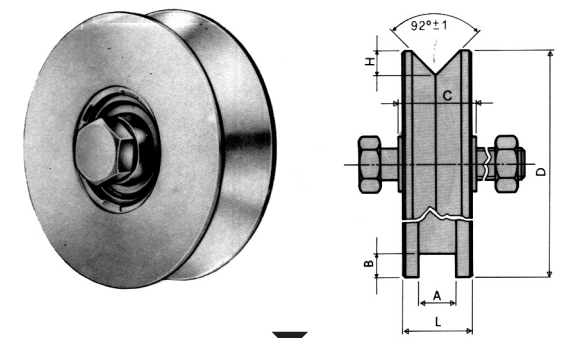
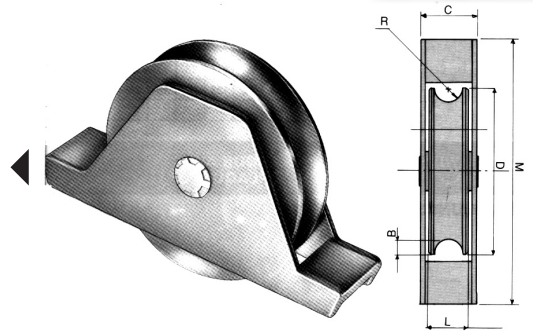


WHEELS

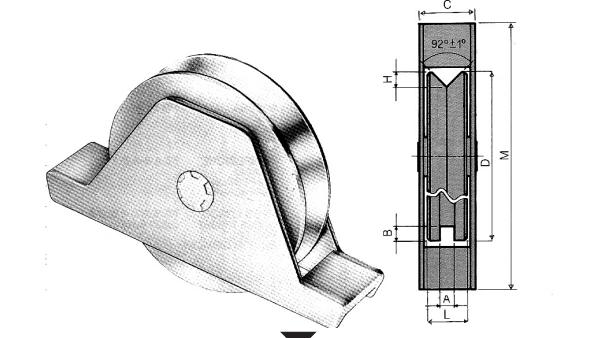
	B	C	D	L	R
310 80	7.5	34	78	20	7.5
315 100	10	34	98	30	10.5
310 100S	10	34	98	24	10.3
310 120	8	34	115	22	8.5
315 120	10	34	116	30	10.5
315 160	10	44	158	32	11.5



	B	C	D	L	M	R
337 80	7.5	31	78	20	131	7.5
338 90	8	32	88	24	155	10.3
337 90S	14.5	32	88	24	155	10.3
338 100	8	32	98	24	155	10.3
337 100S	14.5	32	98	24	155	10.3

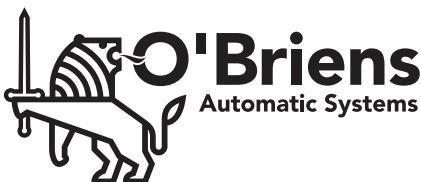


	A	B	C	D	H	L
305 100	16	10	34	98	10.5	30



	A	B	C	D	H	L
305 100	16	10	34	98	10.5	30

Hardware



	C	D	H	L	R
324 160	74	157	9.5	38	11.5

