



Globe

Sectional and up-and-over
doors operator



- ▶ **Rugged motor for total reliability**
- Technological heart for operative safety**
- Attractive and elegant design to complement the environment**



Versatile

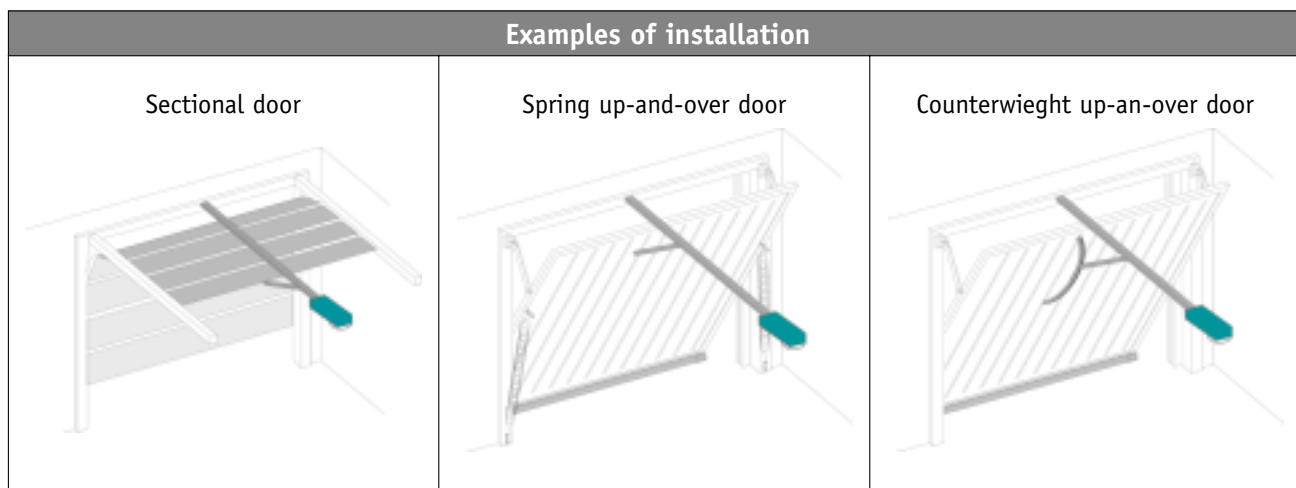
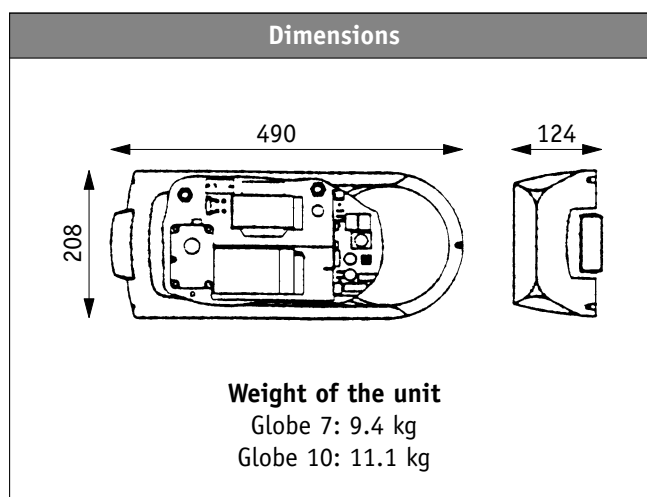
Globe pull unit, installed on the ceiling and completed by DITEC original control and safety accessories perfectly automates any type of garage sectional and up-and-over doors.

Functional

Thanks to the radio remote control you will be able to open it and have your garage lighted at the same time for better visibility and security at dark and in the event of bad weather conditions.

Safe – with encoder

The advanced encoder system managing the stroke, the speed and the slow-down effects of the sectional door, detects obstacle presence on opening and closing and offers great operative safety.



▶ Distinctive features

- ▶ built-in, 4-function control panel
- ▶ 24V DC motor to guarantee high safety standard
- ▶ lock release system, internal by knob and remote by cord (optional)
- ▶ stroke management by "encoder"
- ▶ chain or, for more silent operation, toothed-belt transmission systems inserted into steel, sliding tracks
- ▶ built-in control panel and courtesy lamp
- ▶ full range of fitting accessories
- ▶ easy mounting, building works not required

▶ Globe: distinctive features and range of products

	GLOBE 7	GLOBE 10
Description: Electromechanical Actuator	for overhead and balancing doors with springs	
Maximum capacity	7 m ²	10 m ²
Type of use	frequent	frequent
Intermittency	S2 = 30 min / S3 = 50%	S2 = 30 min / S3 = 50%
Power supply	230 V~ / 50 Hz	230 V~ / 50 Hz
Insulation class	class 1	class 1
Input	0.7 A	1.2 A
Torque/Thrust	500 N	900 N
Opening speed	0.15 m/s (chain) - 0.18 m/s (belt)	0.15 m/s (chain) - 0.18 m/s (belt)
Closing speed	0.10 m/s (chain) - 0.12 m/s (belt)	0.10 m/s (chain) - 0.12 m/s (belt)
Release for manual opening	by cord	by cord
Operating temperature	-20°C / +55°C	-20°C / +55°C
Protection degree	IP10	IP10
Product dimensions	490x208x124 mm	490x208x124 mm
Control panel	70R (incorporated)	71R (incorporated)

▶ Main functions of the system and control panels

	GLOBE 7 70R	GLOBE 10 71R
Description: Control panel	for 1 24 V= motor with incorporated radio	
Mains power supply	230 V~ / 50 Hz	230 V~ / 50 Hz
Batteries for operation in case of a power break	(optional)	(optional)
Motor power supply	24 V= / 8 A	24 V= / 12 A
Accessories power supply	24 V= / 0.3 A	24 V= / 0.3 A
Electric lock		24 V= / 1.2 A
Flashing light indicates automatic closing for 3 seconds	24 V	24 V
Spia automazione aperta signals total closing failure		analogue
Courtesy light	/	/
Encoder by means of the learning operation, the system recognises the mechanical stops and, during the following operations it controls speed and deceleration	/	/
ODS - Obstacle detecting system causes stop or reversal of operation if an obstacle is found	/	/
Braking / Deceleration for best approach	/	/
Opening command	(with dip-switch)	(with dip-switch)
Partial opening command	(with remote only)	(with remote only)
Closing command		
Timed automatic closing	/	/
Step-by-step command	/	/
Stop safety device	/	/
Reverse movement safety device	/	/

▶ Specific accessories

▶ Globe L

Belt extension set
L = 1120 mm, for Globe 7 and 10

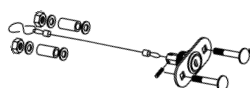


▶ Globe LV

Chain extension set
L = 1120 mm, for Globe 7V and 10V

▶ ASB1

External lock release by
cord with lock
L = 900 mm



▶ BAT K1

Battery kit for power supply
in case of power failure



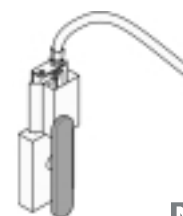
▶ Globe C

Adapter for
counterweight
up-and over door



▶ ASB2

Lock release device by cord Globe 7
and Globe 10 - L = 2000 mm



▶ Accessories

DITEC wide range of accessories offers access systems with several operation and control alternatives.



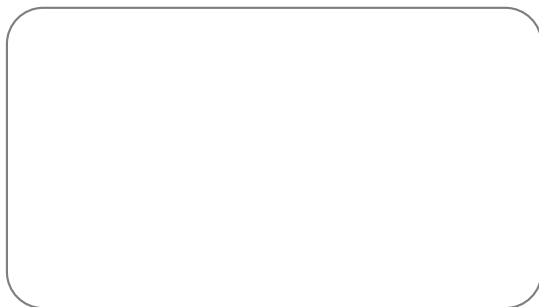
Bix radio remote controls
With individual code, that can not be copied, stored in the EEPROM, 16-million code combinations, rolling code technology. Approved and in compliance with directives.

▶ Regulations

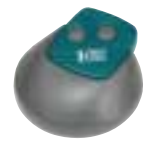
Use only DITEC accessories and safety devices for automation system installation.

DITEC actuators are CE-marked. They are designed and built in compliance with the safety requirements defined in the Machinery Directive (98/37/EC), Electromagnetic Compatibility Directive (89/336/EEC) and Low-Voltage Directive (73/23/EEC). DITEC S.p.A. reserves the right to make any changes whatsoever in order to upgrade its products.

Ditec products are constantly improved. As a consequence, technical data as listed in this leaflet are not to be considered binding. Further information can be found in our technical manuals, available on the website www.ditec.it



- ▶ **Bix S - radio remote control holder**
Its elegant design makes it the right complement anywhere: on your car dashboard, on your garage or on your house walls. The radio remote control can easily be placed into its holder and be always available there for you to use.
- ▶ **Xel 2 infrared photocells**
They allow actuators to operate at the highest safety levels. Suitable for post or surface mounting. Modulated infrared beam.
- ▶ **Xel 5 key selectors**
High security, vandal-proof device. Suitable for post or surface mounting.
- ▶ **CS0 rubber safety edges**
They guarantee the highest safety conditions during opening and closing operations in any entrance system.
- ▶ **Lan 4 digital selectors**
Vandal-proof digital keypad with secret code up to 8 figures.
- ▶ **LAMP flashing light**
Attractive and elegant design. Available also with surface-mounting support and built-in antenna.
- ▶ **TEO L wireless digital keypad**
4-channel programmable radio remote control. It provides radio opening of automatic entrances, by means of a code. Suitable for surface mounting.
- ▶ **LAN 7 proximity access control**
Identification system using transponder technology. Non-contact detection.



DITEC S.p.A.

Via Mons. Banfi, 3 - 21042 Caronno Pertusella (VA) - ITALY
Tel. +39 02 963911 - Fax +39 02 9650314
www.ditec.it - ditec@ditecva.com



ISO 9001
Cert. n° 0957/1

DITEC BELGIUM
DITEC DEUTSCHLAND
DITEC FRANCE
DITEC SVIZZERA
DITEC AMERICA

LOKEREN
OBERURSEL
PALAISEAU
MENDRISIO
FT. LAUDERDALE USA

Tel. +32 9 3560051
Tel. +49 6171914150
Tel. +33 1 64532860
Tel. +41 91 6463339
Tel. +1 954 9624505

Fax +32 9 3560052
Fax +49 61719141555
Fax +33 1 64532861
Fax +41 91 6466127
Fax +1 954 9626824

www.ditecbelgium.be
www.ditec-germany.de
www.ditec.fr
www.ditecswiss.ch
www.ditecamerica.com